

# REFORM 52 TRIMLESS

## Installation Manual

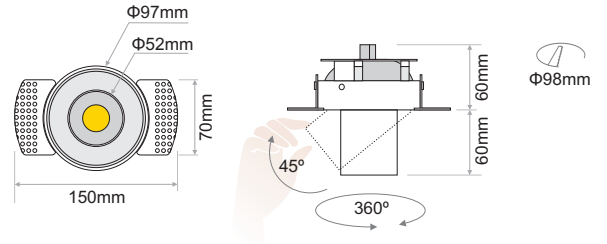
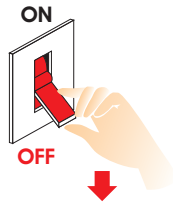


1



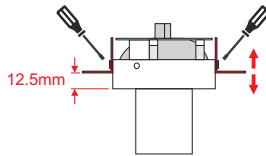
**Attention**

Before any maintenance switch off the main power.

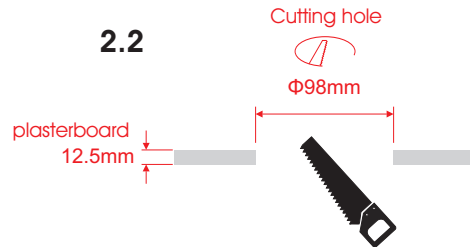


2

2.1

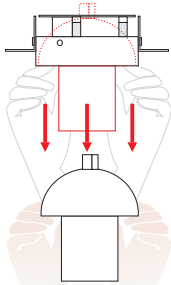


2.2



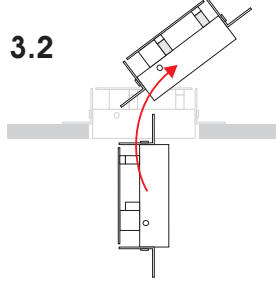
3

3.1

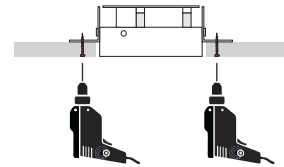


Remove the magnetic base with the spot

3.2

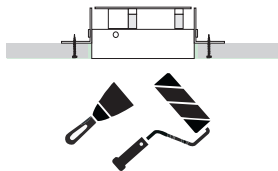


3.3

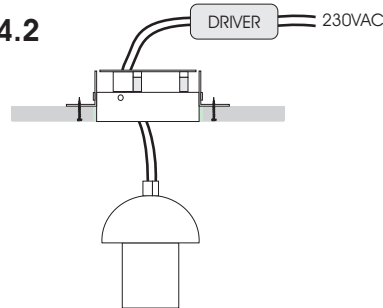


4

4.1

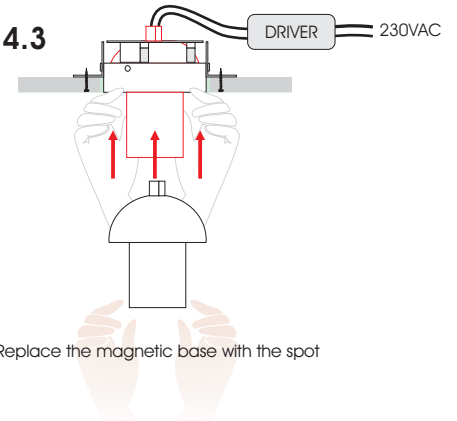


4.2



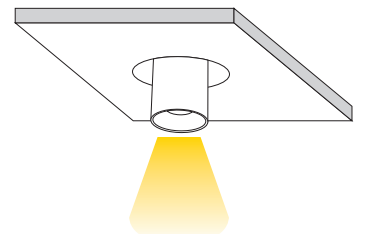
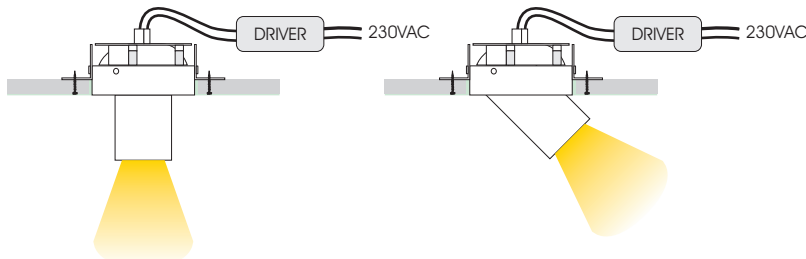
Connect the LED Driver at 230VAC.

4.3



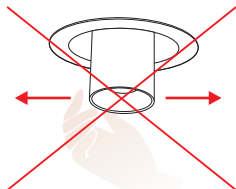
Replace the magnetic base with the spot

5



**Attention**

Do not try to adjust by pushing in any direction as damage may occur.



Adjust only by left/right twisting

